

# LBC 2900/xx Unidirectional Handheld Microphones

www.boschsecurity.com



**BOSCH**  
Invented for life



- ▶ Unidirectional dynamic microphone
- ▶ Handheld or stand-mounted use with clip (supplied)
- ▶ Rugged construction
- ▶ Modern non-reflective dark grey finish

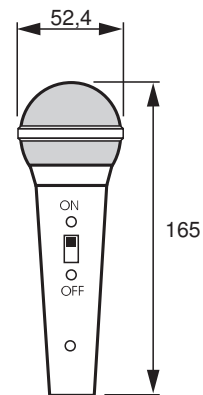
With this unidirectional microphone, Bosch provides impressive audio performance at an economical price. The LBC 2900/xx is based on a dynamic transducer element that is designed for high speech intelligibility. Its rugged enclosure is both stylish and easy to use in a wide range of public and sound reinforcement applications.

## Functions

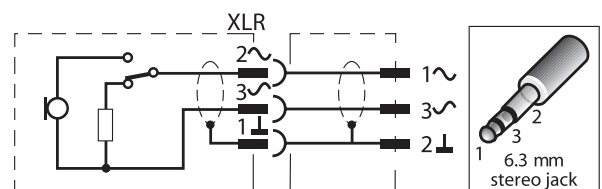
The LBC 2900/xx is a unidirectional microphone intended for either handheld or stand-mounted use. It has excellent cardioid directivity, which reduces acoustic feedback. The built-in on/off switch on the microphone body and the 3-pin lockable XLR connector at the base ensure that the microphone is easy to install and securely connected. Its modern design gives shielding against bursts (pops).

The LBC 2900/xx is ideal for use with Bosch mixing amplifiers, which are fitted with jack or XLR connectors for the input channels. Together, they provide affordable yet highly versatile public address solutions for shops, restaurants, leisure centers and other smaller applications.

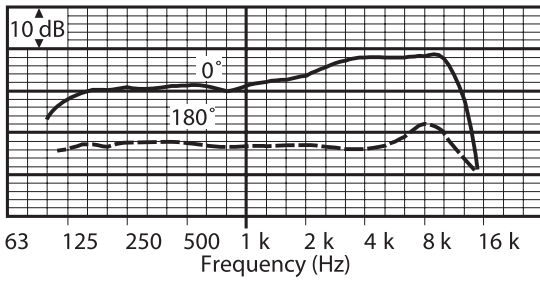
## Installation/Configuration Notes



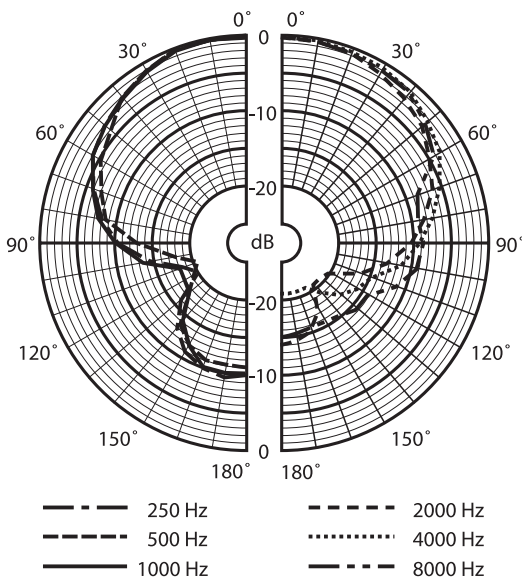
Dimensions in mm



Circuit diagram



Frequency response



Polar diagram

**Parts Included**

Quantity	Component
1	LBC 2900/15 with 7 m (23 ft) shielded black cable terminated with a 6.3 mm (1/4") stereo jack plug or LBC 2900/20 with a 7 m (23 ft) shielded black cable terminated with an XLR male plug
1	Stand bracket with push-on clip for use with microphone stand, and screw-thread adapter for 3/8", 1/2", or 5/8" Whitworth-threaded stand

**Technical Specifications**

**Electrical\***

Type	Handheld
Polar pattern	Unidirectional
Frequency range	80 Hz to 12 kHz
Sensitivity	1.7 mV/Pa ±3 dB
Rated output impedance	600 ohm

\* Technical performance data acc. to IEC 60268-4

**Mechanical**

Dimensions (D x L)	52.4 x 165 mm (2.06 x 6.49 in)
Weight	270 g (9.5 oz)
Color	Dark gray
Switch	On/off slide
Cable length	7 m (23 ft)
Connector (/15)	6.3 mm (1/4") stereo jack
Connector (/20)	3-pin XLR

**Environmental**

Operating temperature	-10 °C to +55 °C (+14 °F to +131 °F)
Storage temperature	-40 °C to +70 °C (-40 °F to +158 °F)
Relative humidity	<95%

**Ordering Information**

**LBC 2900/15 Unidirectional Handheld Microphone** with 7 m (23 ft) cable XLR female / 6.3 mm (1/4") stereo Jack plug connection cable  
Order number **LBC2900/15**

**LBC 2900/20 Unidirectional Handheld Microphone** with 7 m (23 ft) cable XLR male/ female connection cable  
Order number **LBC2900/20**

**Accessories**

**LBC 1215/01 Microphone Clamp**  
spring-loaded microphone holder, friction angular adjustment  
Order number **LBC1215/01**

**LBC 1221/01 Floor Stand**  
Three folding legs, adjustable length with twist clamp.  
Order number **LBC1221/01**

**LBC 1227/01 Table Stand**  
with 3/8" Whitworth stud; 130 mm (5.12 in) diameter  
Order number **LBC1227/01**

**LBC 1226/01 Adjustable Boom**  
maximum reach of 670 mm (2.12 ft); length 840 mm (2.76 ft)  
Order number **LBC1226/01**

**Represented by:**

**Americas:**

Bosch Communications Systems  
12000 Portland Avenue South  
Burnsville, Minnesota 55337, USA  
Phone: +1-800-392-3497  
Fax: +1-800-955-6831  
audiosupport@us.bosch.com  
www.boschsecurity.com

**Europe, Middle East, Africa:**

Bosch Security Systems B.V.  
P.O. Box 80002  
5600 JB Eindhoven, The Netherlands  
Phone: + 31 40 2577 284  
Fax: +31 40 2577 330  
emea.securitysystems@bosch.com  
www.boschsecurity.com

**Asia-Pacific:**

Robert Bosch (SEA) Pte Ltd  
11 Bishan Street 21  
Singapore 573943  
Phone: +65 6571 2600  
Fax: +65 6571 2698  
apr.securitysystems@bosch.com  
www.boschsecurity.com